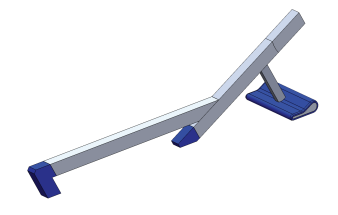
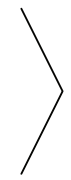
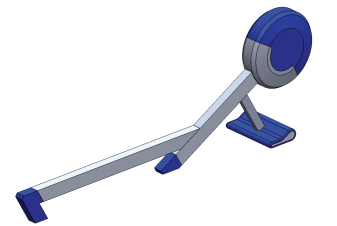
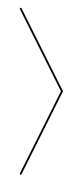


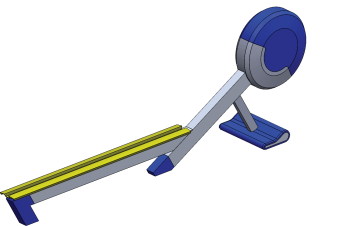
BASE FRAME



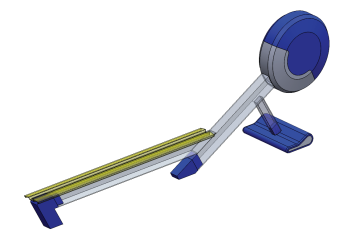
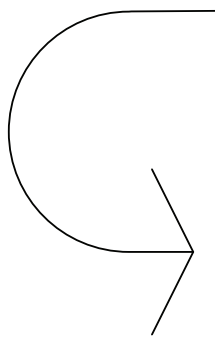
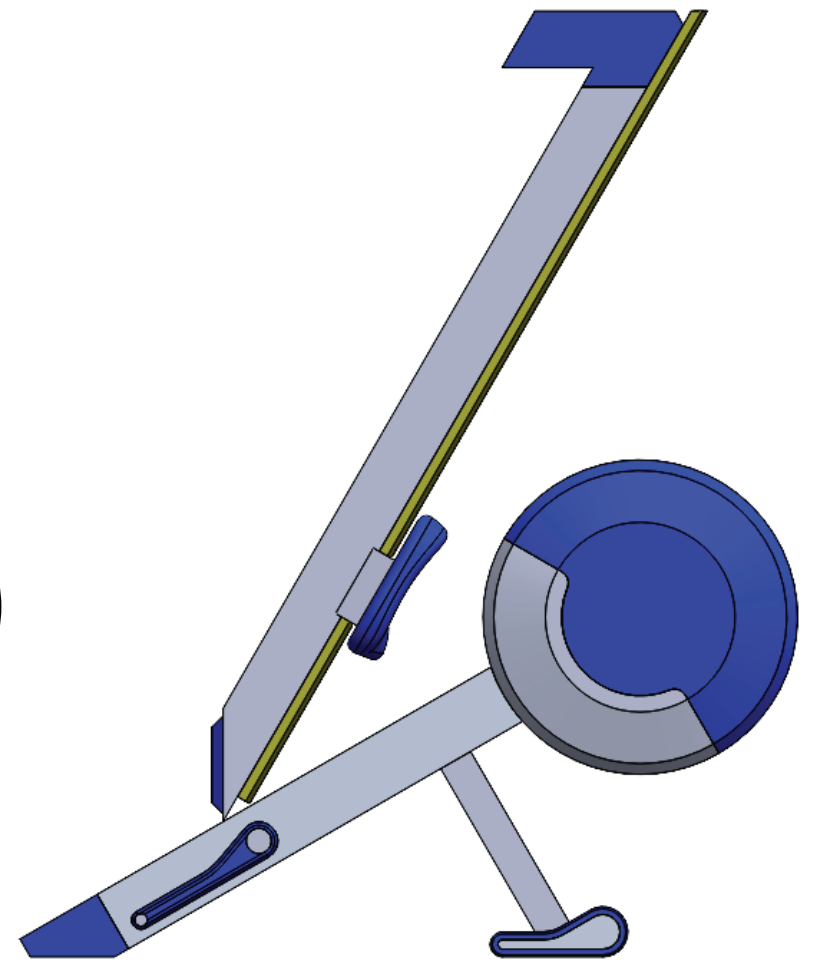
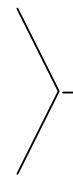
FRAME FEET



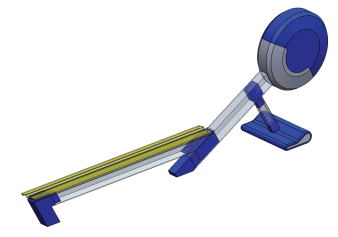
MECHANISM CASING



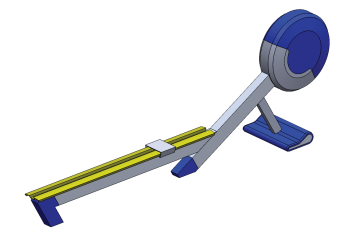
SEAT PAN TRACK



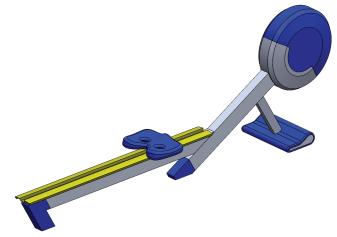
STATIC JOINT DETAILS



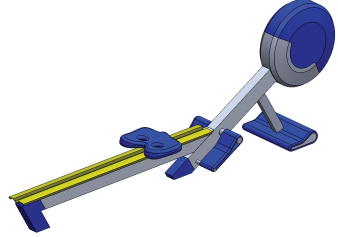
FOLDING JOINT DETAILS



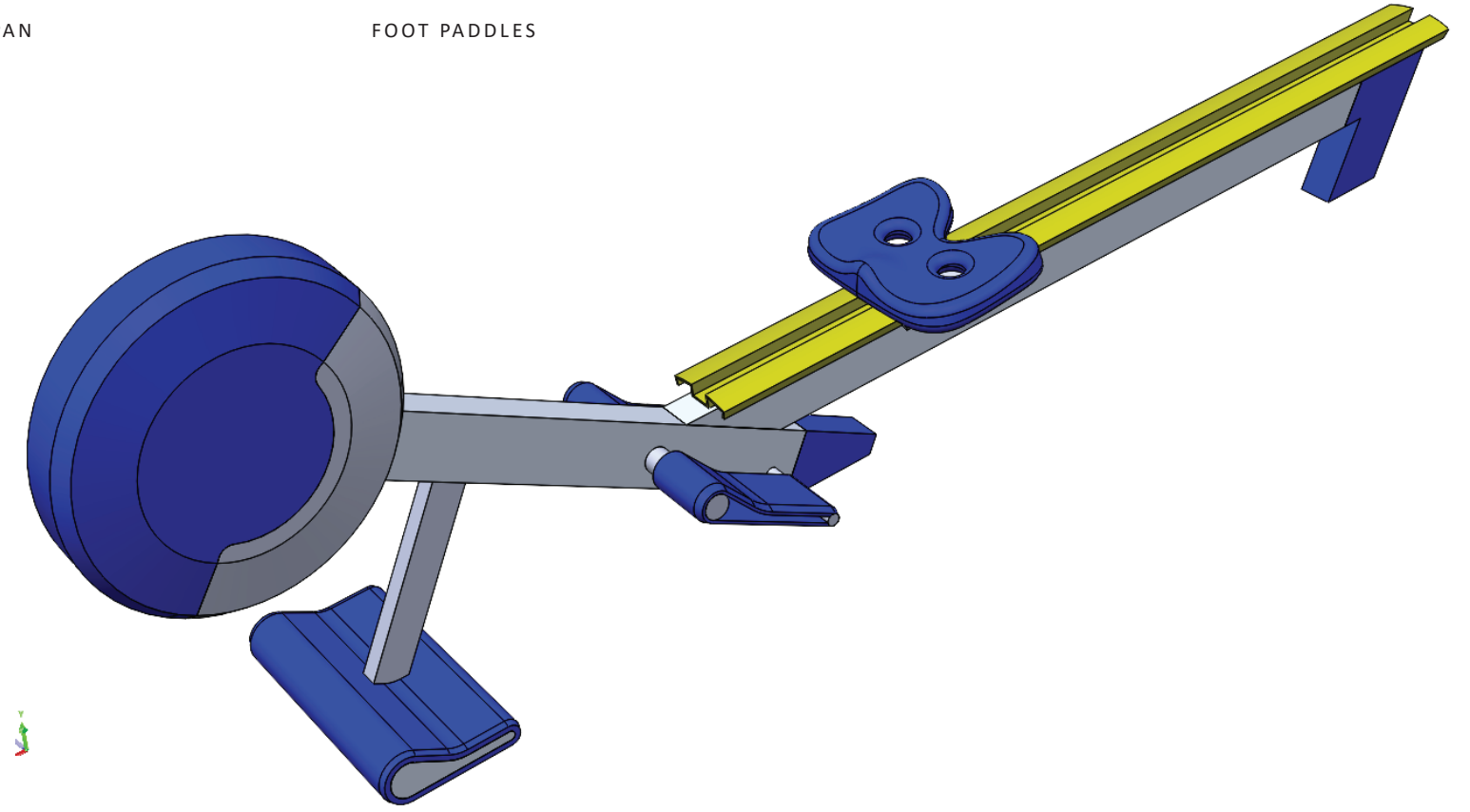
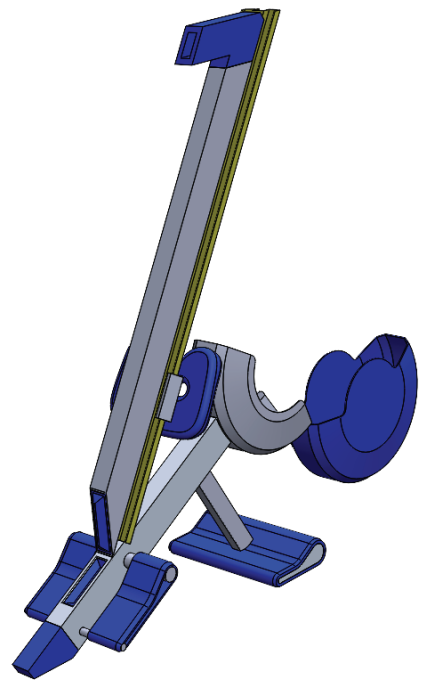
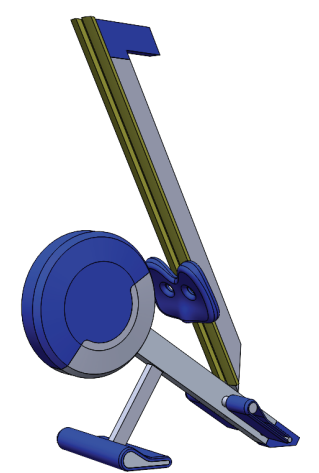
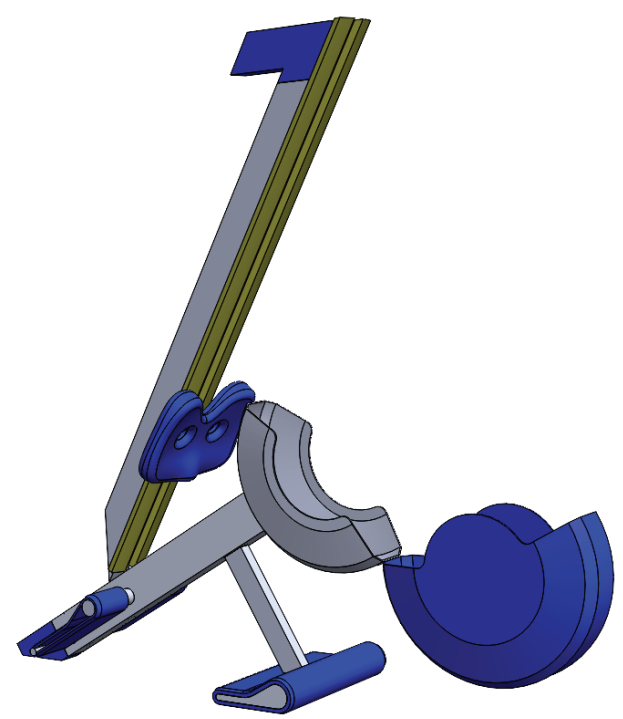
SEAT PAN CHASSIS + 'RUNNERS'



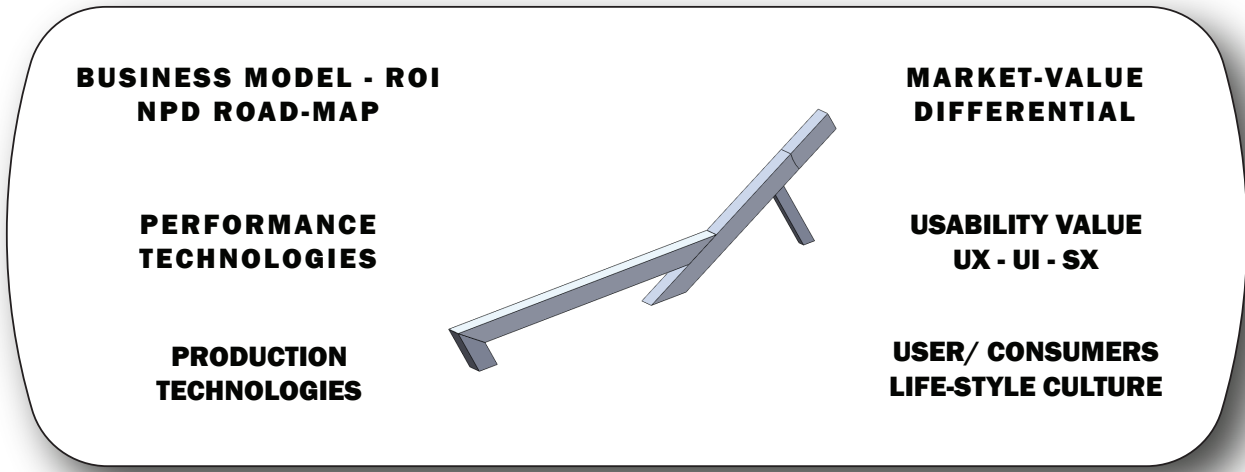
SEAT PAN



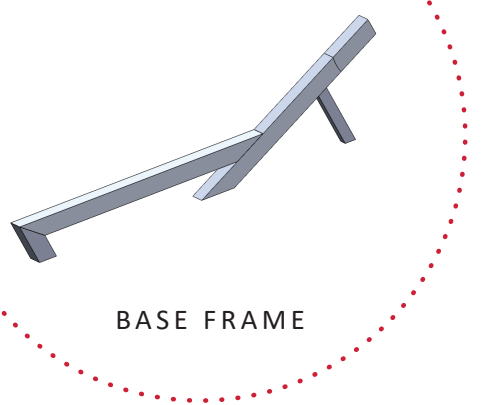
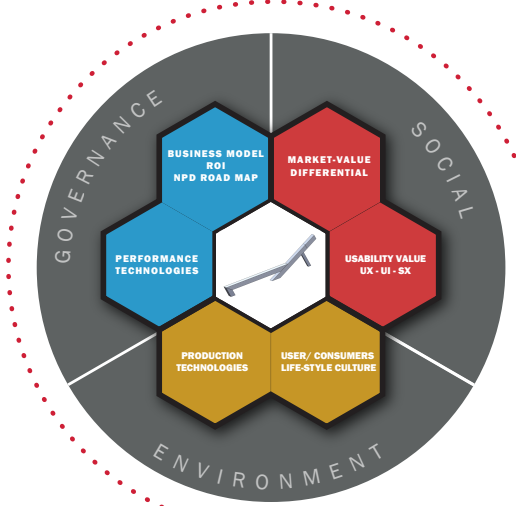
FOOT PADDLES



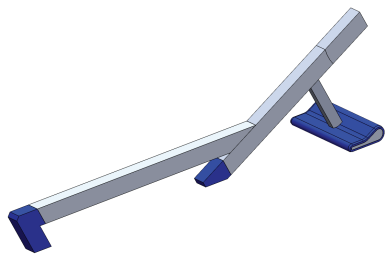
material cost
static load + mass
LCA + geometry



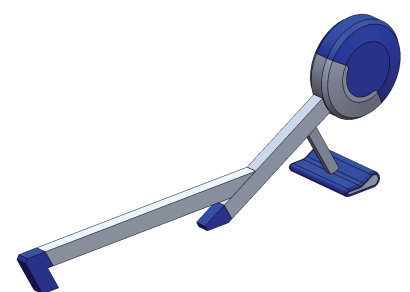
product form (brand culture)
motion study
animation + multiple array



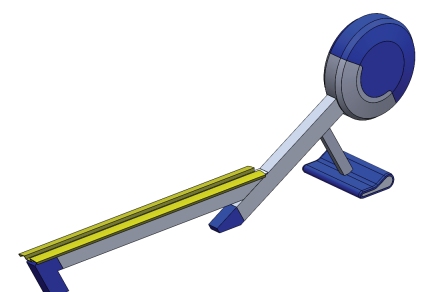
BASE FRAME



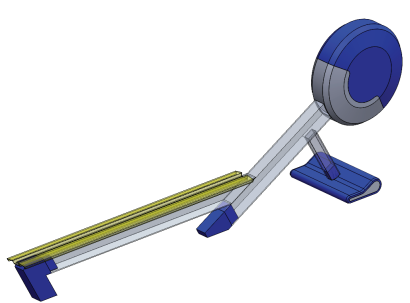
FRAME FEET



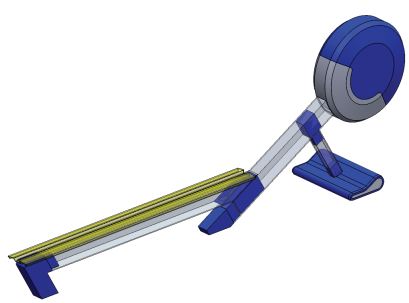
MECHANISM CASING



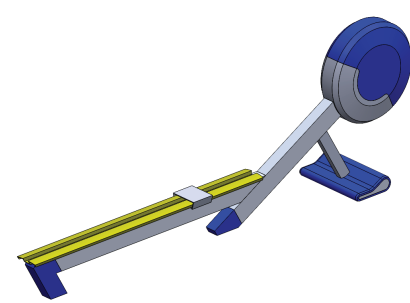
SEAT PAN TRACK



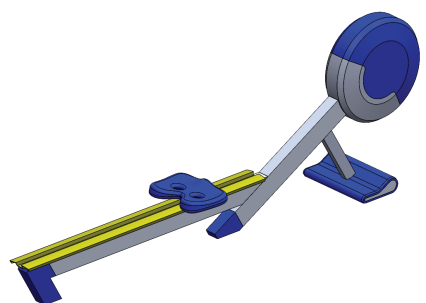
STATIC JOINT DETAILS



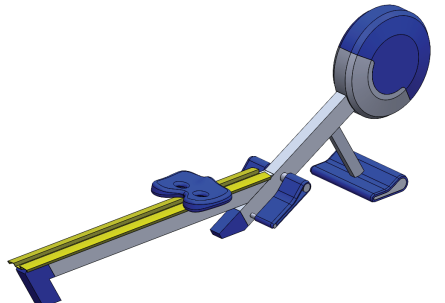
FOLDING JOINT DETAILS



SEAT PAN CHASSIS
+ 'RUNNERS'



SEAT PAN



FOOT PADDLES

